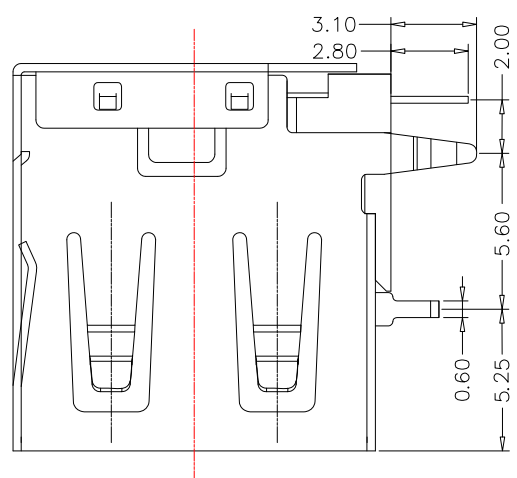
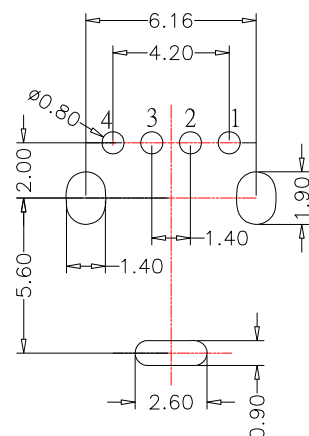


SUA-110P4x-x-S235

SHELL :	COLOR :
Blank : BRASS	Black: B
I : SPCC	White : W



SPECIFICATIONS

Electrical:

1. Rated Voltage: 500V AC / DC
2. Rated Current: 2.0 A Max
3. Dielectric Withstanding Voltage: AC 500 V / 1MIN
4. Insulation Resistance: 1,000 MΩ Min
5. Contact Resistance: 30 mΩ Max

Material:

1. Housing: Thermo plastics ,UL94V-0
2. Terminal: Phosphor Bronze
3. Shell: Brass / Spcc

Finish:

1. Contact: Plated Gold in Mating Area ;
Tin Plated on Solder Balls
Nickel under plated overall
2. Shell: Nickel under Plated surface layer

PCB LAYOUT MOUNTING PATTERN

7	更新MODLE	Jack	031821
6	更新外殼材質	Jack	112315
5	新增外殼材質選項	Jack	112714
4	更新尺寸14.00改14.20及新增尺寸和更新為A0版	Jack	091814
3	更新圖面膠芯樣式及尺寸	Jack	082514
2	新增尺寸	Jack	050613
1	新增PIN腳編號	Jack	050313
ITEM NO.	DESCRIPTION	DRAWN	DATE

CONTACT 建倚科技股份有限公司
CONTACT TECHNOLOGY CORP.

TOLERANCE UNLESS OTHERWISE STATED :	Up to 5 ±0.2	3RD. ANGEL'S	UNITS	MM
	Above 5 ~ 15 ±0.3			
	Above 15 ~ 30 ±0.4			
	Above 30 ~ 50 ±0.5			
	Angle ±0.3			

DRAWN BY:	DATE	MAT'L	TITLE	CONNECTOR
Jack Lu	03/18/21			
CHECKED BY:	DATE	FINISH	MODLE	USB AF側插短體Y型腳無捲邊 (L=14.2)
Jacky Chen	03/18/21			
APPROVED BY:	DATE	SCALE	DWG NO.	SUA-110P4x-x-S235
Tony Kao	03/18/21	1 : 1		
		SHEET NO.	PART NO.	SUA-110P4x-x-S235
		1 of 1		
				SIZE A4
				VER R7